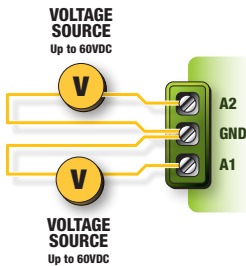


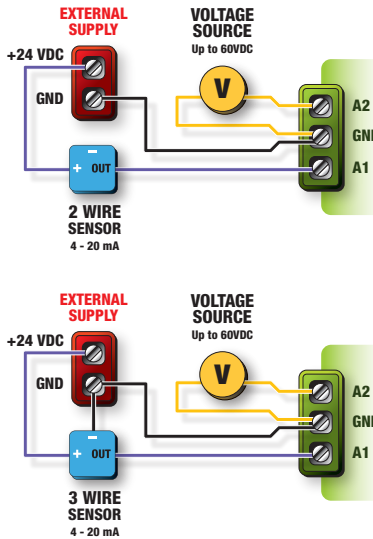
8 Analog Inputs

NN-AIN-01
1011-A010201A

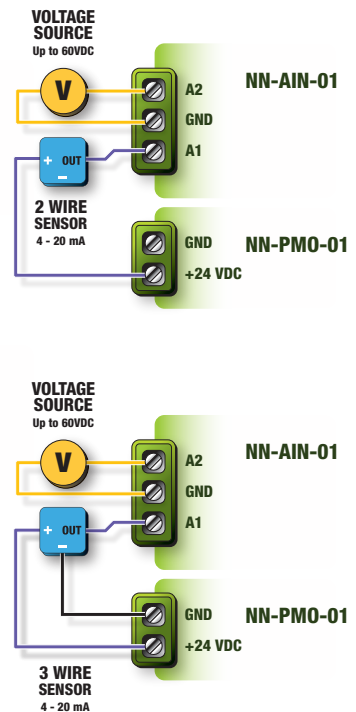
Voltage



Voltage & Current External Supply



Voltage & Current Internal Supply



Features/Benefits

- ✓ Extra wide input range, high resolution inputs.
- ✓ Integrated diagnostic features makes fault finding easy.
- ✓ Software switchable between voltage and current input mode.

Technical Specifications

Analog Inputs	8 x wide input range, analog inputs Software configurable between 0 - ±60VDC or 0 - 25mA operation
Voltage Mode	0 to ±60VDC, 2mV resolution
Current Mode	0 to 25mA, 0.38µA resolution
Connectors	4 x 3 position pluggable screw terminal, 3.5mm pitch
Configuration	Up to 8 NN-AIN-01 modules = 64 analog inputs



4-20 Cachet Woods Court
Markham ON L6C 3G1
Canada

sales@optimatele.com

Tel +1 905 477 0987 Option 1
Fax +1 905 477 5579

<http://www.OptimaTele.com>