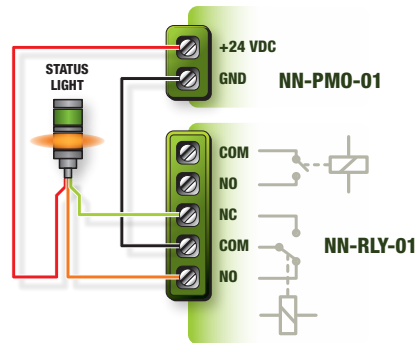
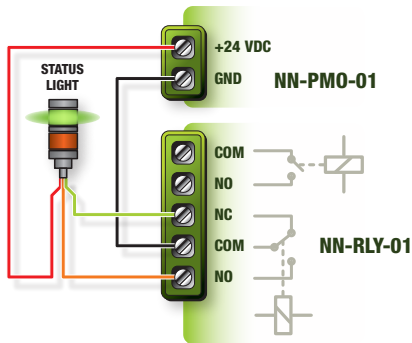
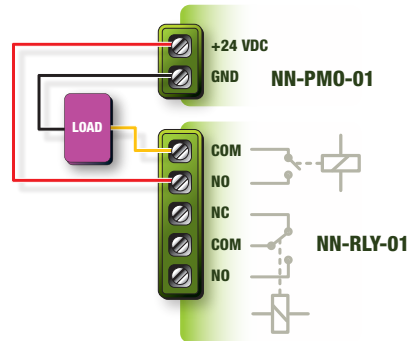
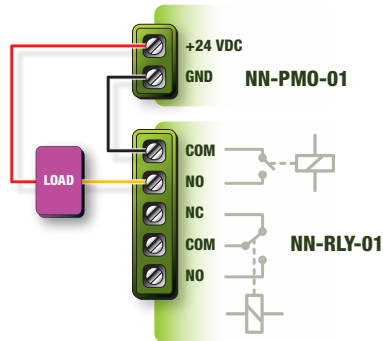


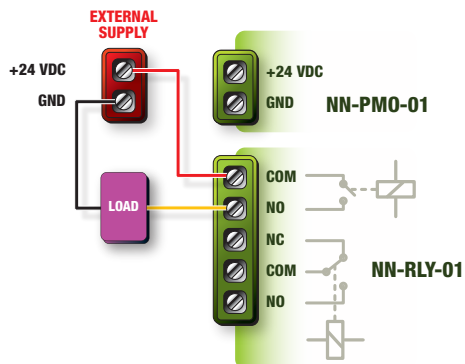
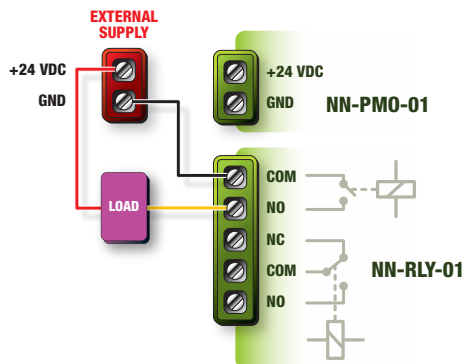
Relay Outputs

Internal Supply



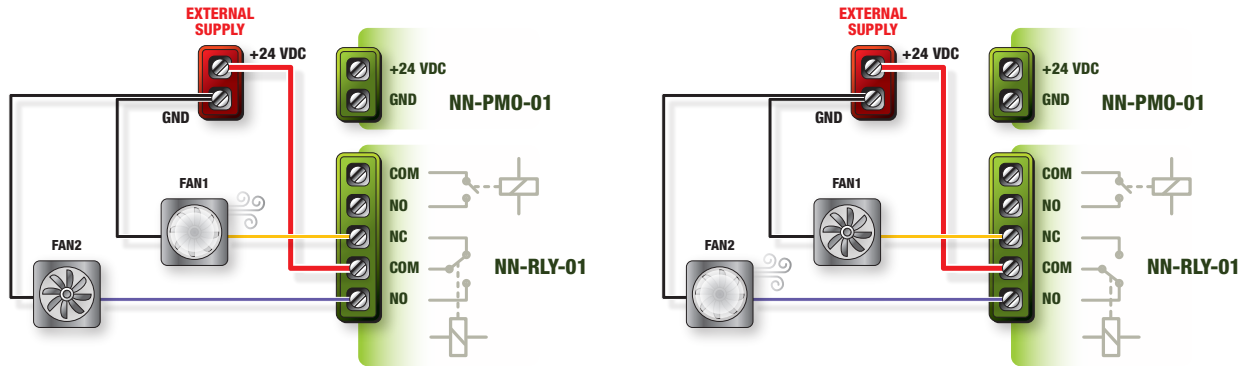
Relay Outputs

External Supply



Relay Outputs

External Supply



Features/Benefits

- ✓ Each relay can switch up to 60W/62.5VA.
- ✓ Latched operation means less headaches.
- ✓ The output state is retained during a power loss or reboot.

Technical Specifications

Relay Outputs	4 x 1 Form C (SPDT), 4 x 1 Form A (SPST) Latched operation Output state retained during power loss/reboot
Switching Power	60W, 62.5VA
Max Switching Voltage	220VDC, 250VAC
Rated Current	2A (limiting continuous current, 85°C)
Max Current	5A
Connectors	4 x 5-position pluggable screw terminals, 3.5mm pitch
Configuration	Up to 8 NN-RLY-01 modules = 64 relay outputs



4-20 Cachet Woods Court
Markham ON L6C 3G1
Canada

sales@optimatele.com

Tel +1 905 477 0987 Option 1
Fax +1 905 477 5579

<http://www.OptimaTele.com>